

FILTRI A RETE DA 2" SERIE 333

- Filetti G2
- Capacità filtrante 23 m³/h
- Cartuccia Ø 107 x 286 mm
- Corpo in polipropilene, guarnizioni in EPDM
- Pressione d'esercizio max. 8 bar
- Filetto di spurgo G ¾" (aperto)
- Doppio attacco per manometro G 1/4" F

2" SCREEN FILTERS SERIES 333

- 2" BSP threads
- Filtering capacity 23 m³/h
- Cartridge Ø 107 x 286 mm
- Polypropylene body, EPDM gaskets
- Working pressure 8 bar max (116 PSI max)
- Draining thread ¾" BSP (open)
- Double attachment for 1/4" F BSP pressure gauge

FILTROS DE MALLA 2" SERIE 333

- Roscas 2"
- Capacidad filtrante 23 m³/h
- Cartucho Ø 107 x 286 mm
- Cuerpo de polipropilene, juntas de EPDM
- Presión máx. de funcionamiento 8 bar
- Rosca de descarga ¾" BSP (abierto)
- Doble toma para manómetro 1/4" F BSP



Struttura cartuccia in polipropilene - Polypropylene cartridge frame - Cartucho de polipropileno

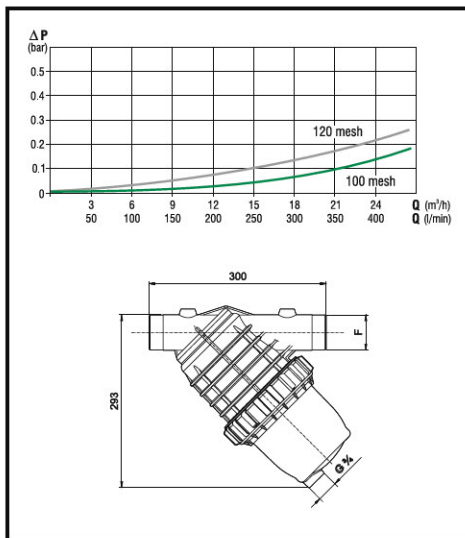
COD. CODE Cód.	F (BSP)	Rete Screen Red		Area		Area effettiva Effective area Area efectiva	
		Type	mesh	cm2	sq.inches	cm2	sq.inches
3332072	G2	Inox	32	531	82.3	294	45.5
3332073		Inox	50			270	41.8
33320735		Inox	80			296	45.8
3332074		Inox	100			246	38.2

Cartuccia con doppia rete - Double net cartridge - Cartucho con doble red

COD. CODE Cód.	F (BSP)	Rete Screen Red		Area		Area effettiva Effective area Area efectiva	
		Type	mesh	cm2	sq.inches	cm2	sq.inches
33322735	G2	Inox	80/32	531	82.3	296	45.8
3332274		Inox	100/32			246	38.2
3332275		Inox	120/32			241	37.4
3332276		Inox	150/32			225	34.9
33322765		Inox	200/32			192	29.8

Cartuccia Inox con calza in poliester - Steel frame with polyester sleeve - Cartucho inox. con red de poliéster

COD. CODE Cód.	F (BSP)	Rete Screen Red		Area		Area effettiva Effective area Area efectiva	
		Type	mesh	cm2	sq.inches	cm2	sq.inches
3332175	G2	Polyester	120	740	114.7	318	49.0
3332176		Polyester	150			259	40.1



Cartuccia di ricambio Spare cartridge Cartucho de recambio

COD. CODE Cód.	Mesh
3172002.030	32
3172003.030	50
31720035.030	80
3172004.030	100
31722035.030	80/32
3172204.030	100/32
3172205.030	120/32
3172206.030	150/32
31722065.030	200/32
333105.030	120
333106.030	150