

Cod. 10137
Cod. 10158

Duplex

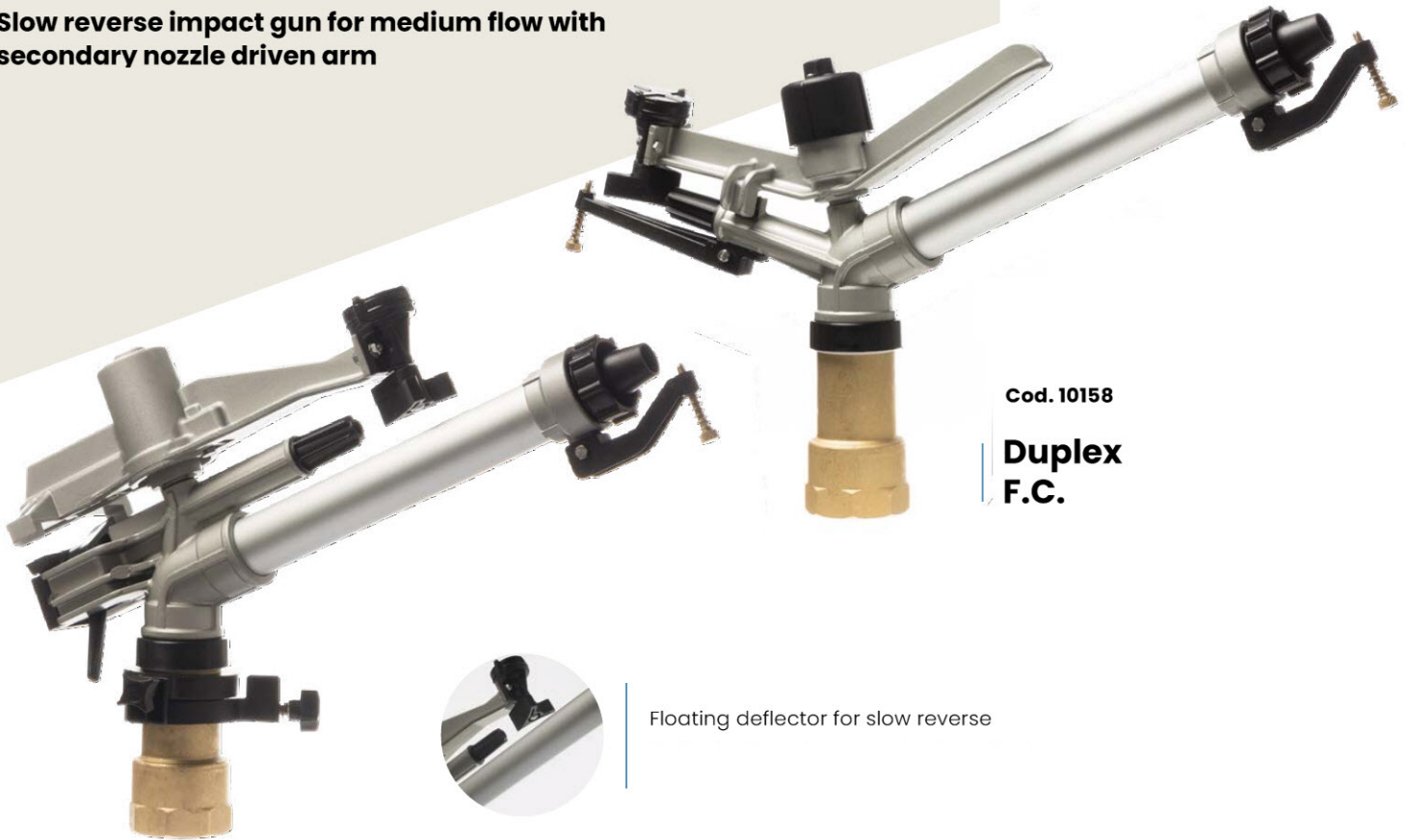
Hose reel machines



Solid set systems



Slow reverse impact gun for medium flow with secondary nozzle driven arm



Cod. 10158

**Duplex
F.C.**

Cod. 10137

**Duplex
P.C.**



Floating deflector for slow reverse

	Net weight	Connection	Size	Nozzle	Angle
P.C	3,30 kg	2" F	ø 1496 mm x 360 mm ø 740 mm x 377 mm	Ø 10 ÷ 22 mm	25°
F.C	2,63 kg				

Pressure *Presion*

Nozzle	2 bar		3 bar		4 bar		5 bar		6 bar	
	Flow Caudal l/min	Radius Alcance m	Flow Caudal l/min	Radius Alcance m	Flow Caudal l/min	Radius Alcance m	Flow Caudal l/min	Radius Alcance m	Flow Caudal l/min	Radius Alcance m
12 mm - 8 mm	184	23	224	27	259	30	-	-	-	-
14 mm - 8 mm	230	25	280	29	325	32	364	34	-	-
16 mm - 8 mm	282	27	344	31	399	34	446	37	-	-
18 mm - 8 mm	343	28	434	33	506	36	561	40	-	-
20 mm - 8 mm	411	29	520	34	606	38	657	43	-	-
22 mm - 8 mm	-	-	590	34,5	682	39	766	44	839	46,5