

Cod. 10252  
Cod. 10253

# Hidra

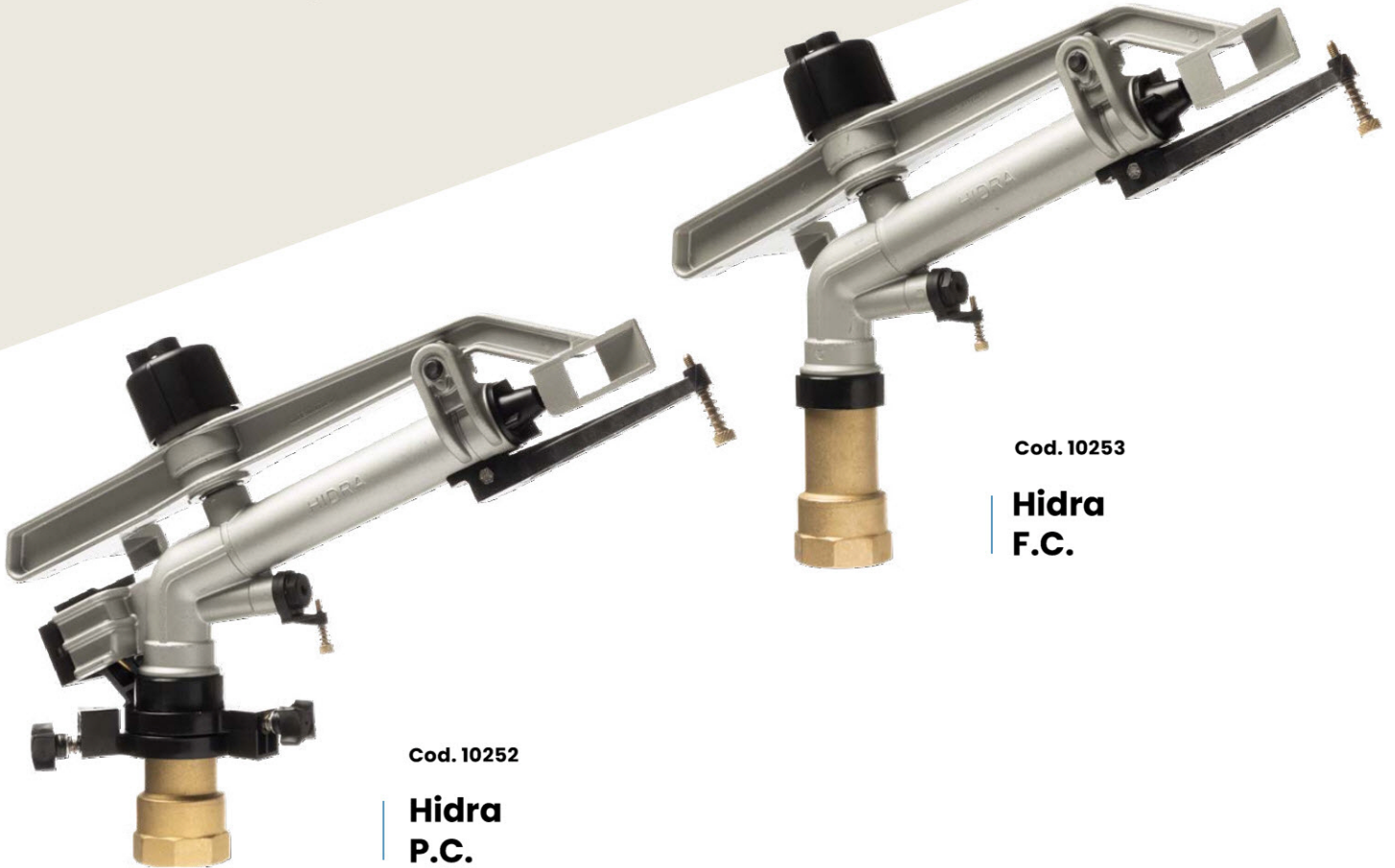
Hose reel machines  
*Enrolladores*



Solid set systems  
*Cobertura integral*



**Double nozzle impact gun for medium-low flow**



Cod. 10253

**Hidra  
F.C.**

Cod. 10252

**Hidra  
P.C.**

	Net weight	Connection	Size	Nozzle	Angle
P.C	<b>2,3 kg</b>	<b>1" ½ F</b>	<b>ø 650 mm x 312 mm</b>	<b>Ø 10 ÷ 20 mm</b>	<b>25°</b>
F.C	<b>2,0 kg</b>				

Pressure

Nozzle	2 bar		3 bar		4 bar		5 bar		6 bar	
	Flow Caudal l/min	Radius Alcance m	Flow Caudal l/min	Radius Alcance m	Flow Caudal l/min	Radius Alcance m	Flow Caudal l/min	Radius Alcance m	Flow Caudal l/min	Radius Alcance m
<b>10 mm - 5 mm</b>	110	18	135	20,5	157	23,5	175	26	-	-
<b>12 mm - 5 mm</b>	152	20	182	24	211	27	236	30	-	-
<b>14 mm - 5 mm</b>	195	21	239	25	277	29	309	31	-	-
<b>16 mm - 5 mm</b>	247	22	303	26	351	30	391	33	-	-
<b>18 mm - 5 mm</b>	-	-	378	28	436	31	487	34	533	36
<b>20 mm - 5 mm</b>	-	-	460	28,5	532	32	594	34,5	651	36,5