

Cod. 10016
Cod. 10017

Ibis

Solid set systems
Cobertura integral

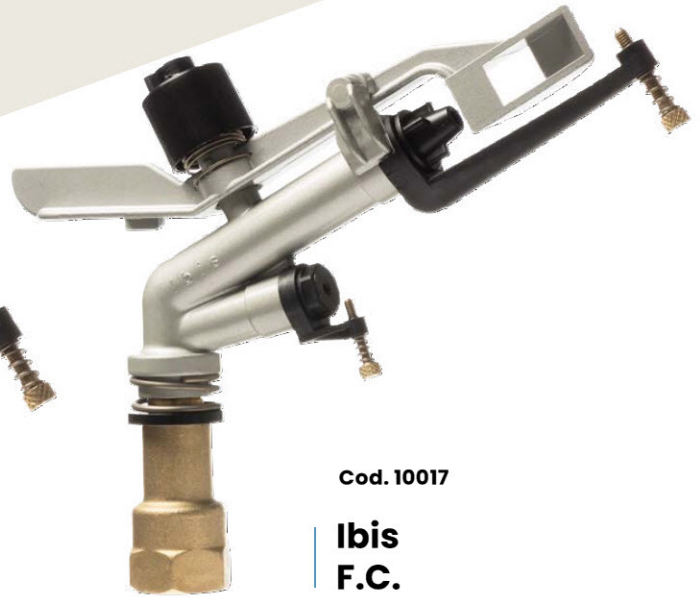


**Double nozzle impact sprinkler
for low flow**



Cod. 10016

**Ibis
P.C.**



Cod. 10017

**Ibis
F.C.**

	Net weight	Connection	Size	Nozzle	Angle
P.C	0,76 kg	1" F	ø 414 mm x 216 mm	Ø 6 ÷ 10 mm	28°
F.C	0,65 kg				

Pressure

for **US units** go to page 70

Nozzle	1,5 bar		2 bar		3 bar		4 bar		5 bar	
	Flow Caudal l/min	Radius Alcance m	Flow Caudal l/min	Radius Alcance m	Flow Caudal l/min	Radius Alcance m	Flow Caudal l/min	Radius Alcance m	Flow Caudal l/min	Radius Alcance m
4 mm - 6 mm	40	13	46	15	56	17	65	18	-	-
4 mm - 8 mm	61	14,5	71	16,5	86	18	100	19	-	-
4 mm - 10 mm	-	-	102	17	124	19,5	144	21	161	23