

Cod. 10124
Cod. 10125

Jolly

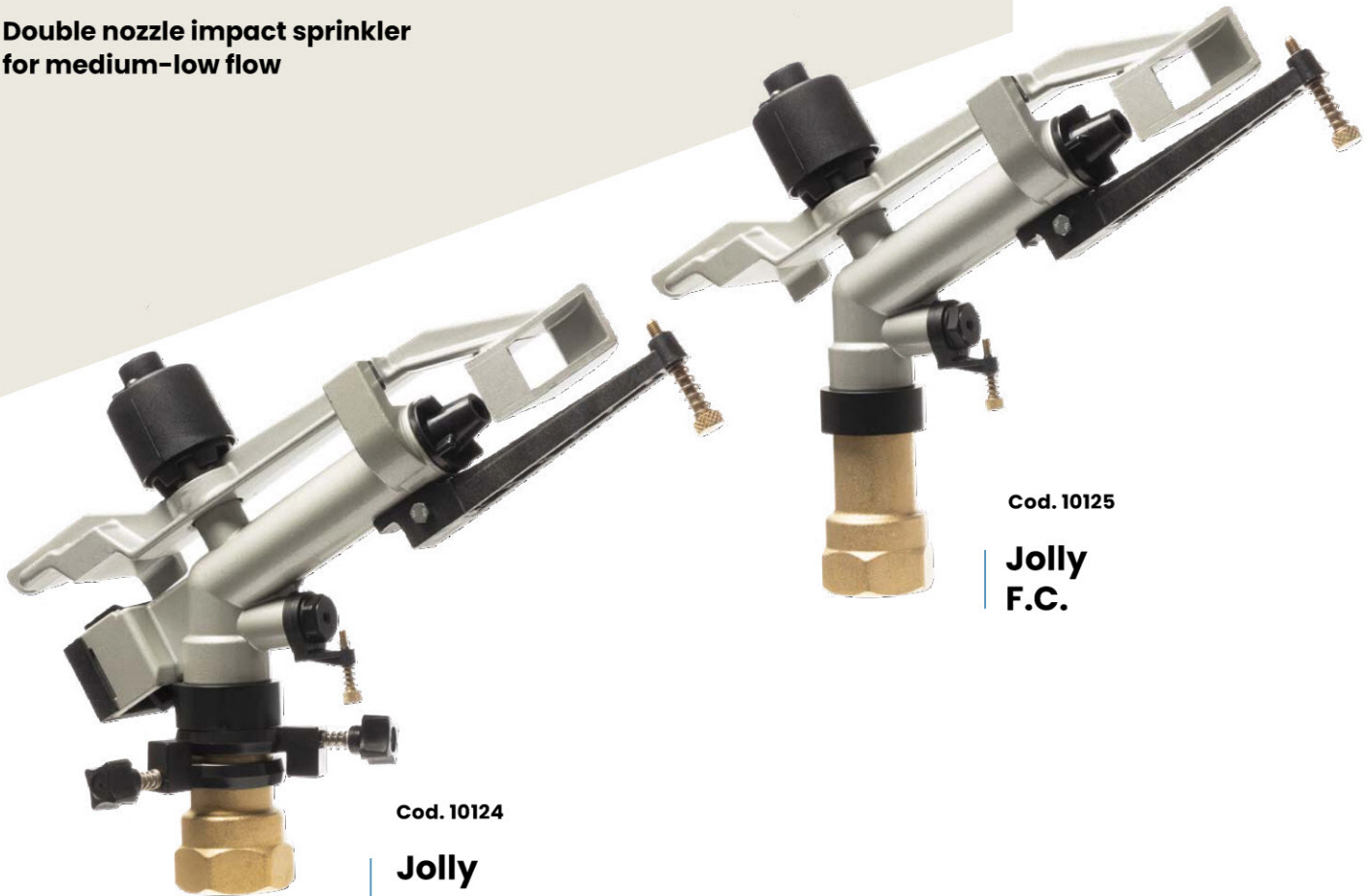
Hose reel machines
Enrolladores



Solid set systems
Cobertura integral



**Double nozzle impact sprinkler
for medium-low flow**



Cod. 10124

**Jolly
P.C.**

Cod. 10125

**Jolly
F.C.**

	Net weight	Connection	Size	Nozzle	Angle
P.C	1,28 kg	1" 1/4 F	ø 510 mm x 251 mm	Ø 7 ÷ 16 mm	30°
F.C	1,12 kg				

Pressure

Nozzle	1,5 bar		2 bar		3 bar		4 bar		5 bar	
	Flow Caudal l/min	Radius Alcance m	Flow Caudal l/min	Radius Alcance m	Flow Caudal l/min	Radius Alcance m	Flow Caudal l/min	Radius Alcance m	Flow Caudal l/min	Radius Alcance m
8 mm - 4 mm	62	16,5	71	17,5	87	19,5	100	21	-	-
9 mm - 4 mm	76	17	88	18	107	20	124	21,5	-	-
10 mm - 4 mm	-	-	106	19	130	21	151	22,5	170	23,5
12 mm - 4 mm	-	-	149	21	182	23,5	211	26	236	28
14 mm - 4 mm	-	-	197	22,5	241	24	278	27	311	29