

Cod. 10014
Cod. 10129

K1

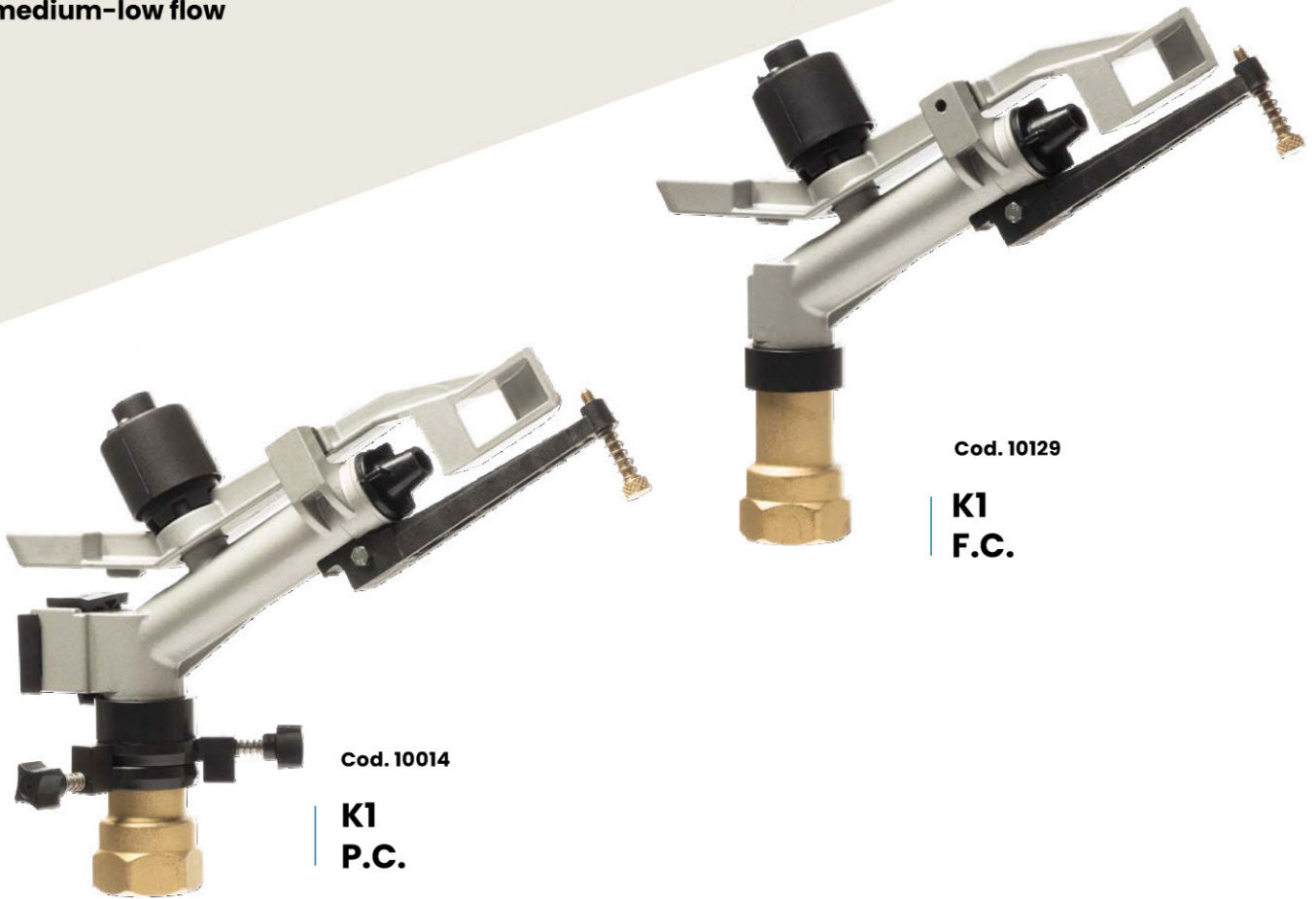
Hose reel machines
Enrolladores



Solid set systems
Cobertura integral



**Single nozzle impact sprinkler
for medium-low flow**



Cod. 10014

**K1
P.C.**

Cod. 10129

**K1
F.C.**

	Net weight	Connection	Size	Nozzle	Angle
P.C	1,32 kg	1" 1/4 F	ø 520 mm x 246 mm	Ø 6 ÷ 14 mm	30°
F.C	1,16 kg				

Pressure

Nozzle	1,5 bar		2 bar		3 bar		4 bar	
	Flow Caudal l/min	Radius Alcance m	Flow Caudal l/min	Radius Alcance m	Flow Caudal l/min	Radius Alcance m	Flow Caudal l/min	Radius Alcance m
8 mm	49	15,5	57	17	69	19	80	20,5
9 mm	62	16,5	71	17,5	87	19,5	100	21
10 mm	76	17	88	18	107	20,5	124	22
12 mm	110	17	127	19	155	21	179	23,5