

RN 160 PLUS

Electric valves

DESCRIPTION

Rain RN160 PLUS is the family of electric valves for professional landscape and agricultural applications.

This family is an historical product of Rain and its reliability, strength and high performances are well known in the market and have been even improved year after year.

TECHNICAL INFORMATION

- PA 6 30% fiberglass
- Self cleaning stainless-steel metering pin
- Stainless-steel diaphragm differential pring for smooth closing
- Flow control
- Solenoid certificate CE, IP 68 9 PN12 tested piece by piece at 14 bar
- Bleed handle for manual opening with internal bleed
- Energy efficient solenoid 0,2 amp, 4,8 VA
- Standard solenoid: 24 VAC
- Available solenoid 12 VDC; 24 VDC; 110 VAC; 9 (6-40) VDC Latching
- On request are also available NPT thread versions: 1"1/2 NPT W/ FC or 2" NPT W/FC

OPERATING CONDITIONS

- Pressure: min 1.0 bar - max 12.0 bar
- Temperature: +4° C/70° C
- Flow rate: from 75 l/min to 300 l/min



1. BLEED HANDLE FOR MANUAL OPENING



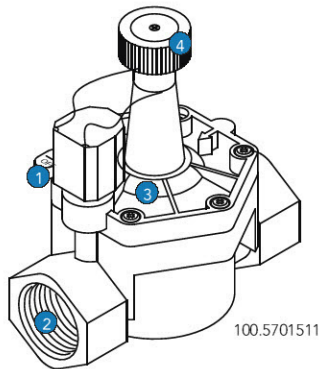
2. THREADS AVAILABLE: FEMALE, MALE X UNION



3. SINGLE PIECE CO-INJECTED DIAPHRAGM



4. FLOW CONTROL ADJUSTMENT HANDLE

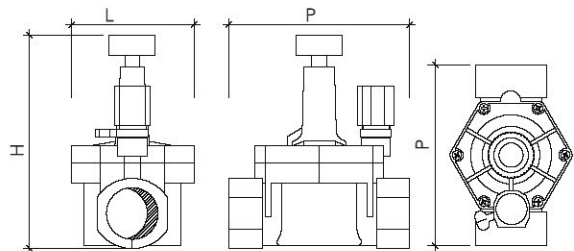


100.5701511

RN 160 - LOSS OF CHARGE (in bar)

	1"	1"1/4	1"1/2	2"
75 l/min	0.20	0.20		
100 l/min	0.27	0.20	0.20	0.16
125 l/min	0.32	0.21	0.20	0.16
150 l/min	0.42	0.27	0.20	0.16
175 l/min	0.58	0.30	0.21	0.18
200 l/min	0.75	0.40	0.25	0.21
225 l/min		0.48	0.29	0.23
250 l/min		0.58	0.34	0.28
275 l/min		0.69	0.39	0.32
300 l/min			0.45	0.38
325 l/min				0.41

Code	Models	Box Qt.y	Box - cm
100.5700911	RN 160 PLUS 1" F W/FC 24VAC	12	48x47x20
100.5701211	RN 160 PLUS 1"1/4 F W/FC 24VAC	12	48x47x20
100.5701511	RN 160 PLUS 1"1/2 F W/FC 24VAC	12	48x47x20
100.5701711	RN 160 PLUS 2" F W/FC 24VAC	6	48x47x20



RN 160 - DIMENSIONS (in cm)

	1" F	1"1/4 F	1"1/2" F	2" F	2" M x U
H	18.4	18.4	18.4	18.4	18.4
P	14.5	14.8	15.7	18.3	17.5
L	10.6	10.6	10.6	10.6	10.6