



RN 180

Electric valves

DESCRIPTION

Rain RN180 is the family of electric valves dedicated for agriculture and big installations with high flow.

2 kg of weight made of virgin nylon plus 30% of fibreglass is the starting condition for the excellence for an electric valve for these applications.

Strong and reliable is studied to face even extreme conditions of flow, also thanks to its safe closing process to prevent water hammer.

TECHNICAL INFORMATION

- PA 6 30% fiberglass
- Self cleaning stainless-steel metering pin
- Stainless-steel diaphragm differential spring for smooth closing
- Solenoid certificate CE, IP 68 9
- PN12 tested piece by piece at 14 bar
- Bleed handle for manual opening with internal bleed
- Energy efficient solenoid 0,2 amp, 4,8 VA
- Flow Control
- Standard solenoid: 24 VAC
- Available solenoid 12 VDC; 24 VDC; 110 VAC; 9 (6-40) VDC Latching

OPERATING CONDITIONS

- Pressure: min 1.0 bar - max 12.0 bar
- Temperature: +4° C/70° C
- Flow rate: from 200 l/min to 1100 l/min

1. BLEED HANDLE FOR MANUAL OPENING



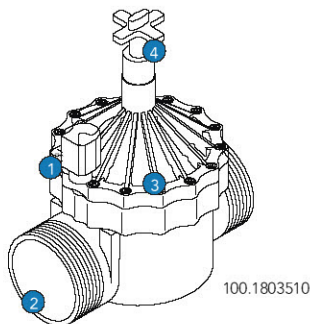
3. ASSEMBLED DIAPHRAGM



2. THREADS AVAILABLE: MALE, FEMALE



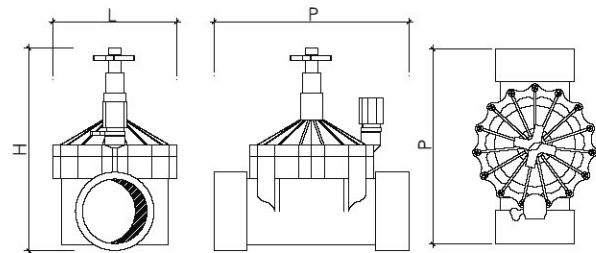
4. FLOW CONTROL ADJUSTMENT HANDLE AVAILABLE



RN 180 - LOSS OF CHARGE (in bar)

	2"	3"
200 l/min	0.07	0.05
300 l/min	0.09	0.07
400 l/min	0.12	0.09
500 l/min	0.14	0.12
600 l/min	0.16	0.14
700 l/min	0.19	0.16
800 l/min	0.25	0.18
900 l/min	0.31	0.23
1000 l/min	0.38	0.28
1100 l/min	0.47	0.35

Code	Models	Box Qty	Box - cm
100.1802510	RN 180 2" F W/FC 24VAC	4	59x35x30,5
100.1803510	RN 180 3" M W/FC 24VAC	4	59x35x30,5
100.1803410	RN 180 3" F W/FC 24VAC	4	59x35x30,5
164.1803410	RN 180 3" F W/FC (6-40) VDC Latching	4	59x35x30,5



RN 180 - DIMENSIONS (in cm)

	3" M	3" F	2" F
H	25.0	25.0	25.0
P	24.0	25.3	25.3
L	17.0	17.0	17.0



RN 180 3 WAY

Electric valves

TECHNICAL INFORMATION

- PA 6 30% fiberglass
- Filter for dirty water working
- Stainless-steel diaphragm differential spring for smooth closing
- Solenoid certificate CE, IP 68 9
- PN12 tested piece by piece at 14 bar
- Bleed handle for manual opening with internal bleed
- Energy efficient solenoid 0,2 amp, 4,8 VA
- Flow Control
- Base

OPERATING CONDITIONS

- Pressure: min 1.0 bar - max 12.0 bar
- Temperature: +4° C/70° C
- Flow rate: from 200 l/min to 1100 l/min

AVAILABLE VERSIONS

- Standard solenoid: 24 VAC
- Available solenoid 12 VDC; 24 VDC; 110 VAC; 9 (6-40) VDC Latching

1. CONNECTION



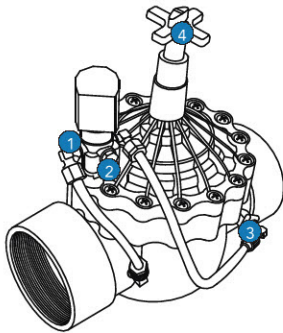
2. 1/4" FILTER



3. 3 WAY BASE

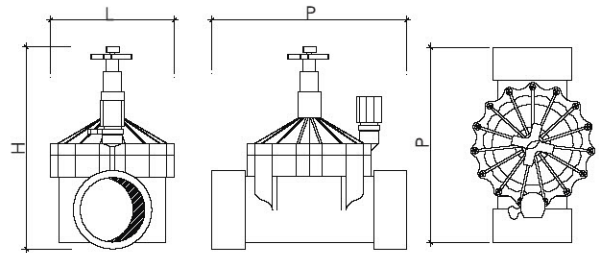


4. FLOW CONTROL ADJUSTMENT HANDLE AVAILABLE



RN 180 - LOSS OF CHARGE (in bar)		
	2"	3"
200 l/min	0.07	0.05
300 l/min	0.09	0.07
400 l/min	0.12	0.09
500 l/min	0.14	0.12
600 l/min	0.16	0.14
700 l/min	0.19	0.16
800 l/min	0.25	0.18
900 l/min	0.31	0.23
1000 l/min	0.38	0.28
1100 l/min	0.47	0.35

Models	
100.1805210	RN 180 2" F 3 WAYS 24 VAC
164.1805210	RN 180 2" F 3 WAYS 9 VDC
164.1805510	RN 180 3" M 3 WAYS 9 VDC
100.1805410	RN 180 3" F 3 WAYS 24 VAC
164.1805410	RN 180 3" F 3 WAYS 9 VDC
100.1805520	RN 180 3" FLANGED 3 WAYS 24 VAC
100.1805510	RN 180 3" M 3 WAYS 24 VAC



RN 180 - DIMENSIONS (in cm)			
	3" M	3" F	2" F
H	25.0	25.0	25.0
P	24.0	25.3	25.3
L	17.0	17.0	17.0

