



---

SY SERIES

  
**Nova Rocha**  
SISTEMAS E EQUIPAMENTOS DE REGA

## STRAINER FILTERS

### USAGE

Strainer filters - SY series are used to protect irrigation network equipment (such as pumps, valves, etc.) from wear and blockage by the presence of large caliber sediment. All filters are PN16 and the product range can serve large number of flow. The installation of the filter is done by following the direction of the flow arrow in the filter body.

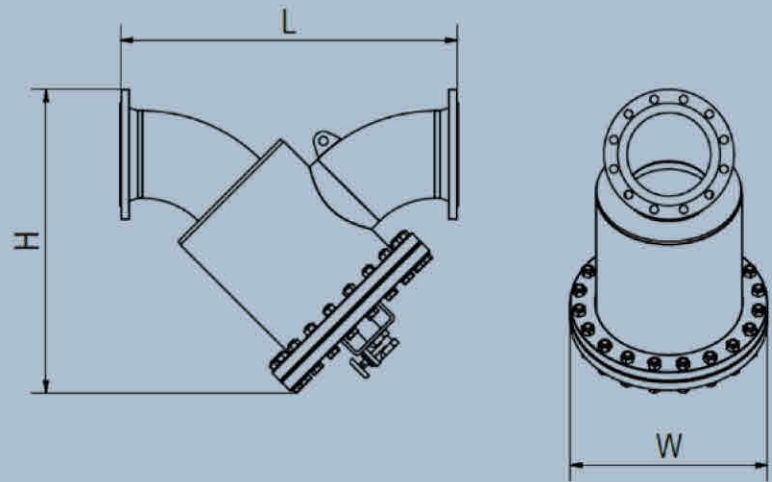
Water enters the inlet, passes through the cartridge, filtered, and exits from the outlet. The filter is cleaned manually, disassembling the lid and removing the cartridge. The cleaning of the cartridge should always be done when the difference of input-output pressure (DP) is 0,5 bar greater than the pressure difference when the cartridge is clean.



### MATERIALS

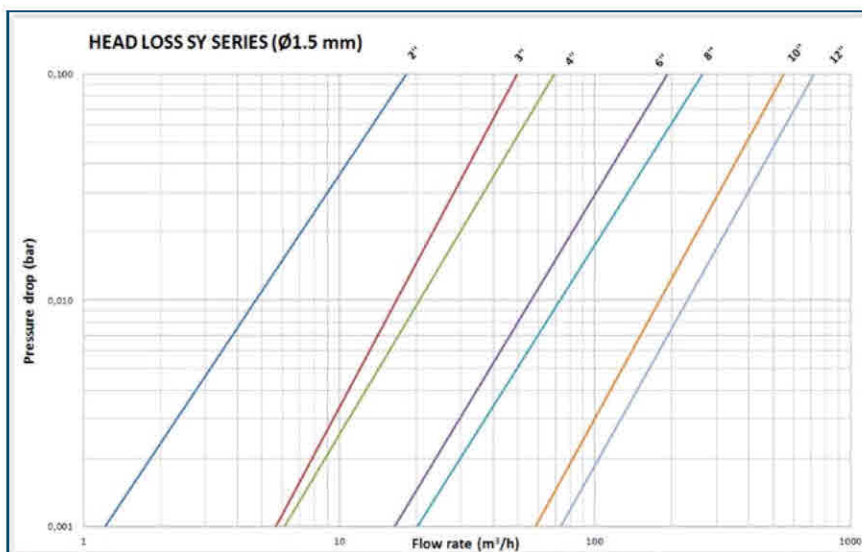
BODY:	Steel S235JR (also available in stainless steel AISI 304 & 316, on request)
CARTRIDGE:	u-PVC (DIN8061-8062) / stainless steel screen (AISI 304) / perforated stainless steel (1-4 mm openings)
GASKETS:	EPDM
SURFACE TREATMENT:	Chemical cleaning (pickling, phosphate) and electrostatic painting with polyester powder (available epoxy coatings suitable for drinking water)

# SY SERIES



CODE	DESCRIPTION	CONNECTIONS	FILTRATION AREA cm <sup>2</sup>	NOMINAL FLOW m <sup>3</sup> /h	MAX PRESSURE bar	H mm	L mm	W mm	WEIGHT kg
05-12-202	Strainer filter series SY 2" (hole diameter Ø 1.5 mm)	TM, F, G	410	25	16	370	300	180	14.0
05-12-302	Strainer filter series SY 3" (hole diameter Ø 1.5 mm)	F, G	620	45	16	400	360	200	17.5
05-12-402	Strainer filter series SY 4" (hole diameter Ø 1.5 mm)	F, G	820	80	16	455	390	220	21.0
05-12-502	Strainer filter series SY 5" (hole diameter Ø 1.5 mm)	F, G	1310	110	16	570	510	250	32.5
05-12-602	Strainer filter series SY 6" (hole diameter Ø 1.5 mm)	F, G	1700	160	16	570	590	300	48.0
05-12-802	Strainer filter series SY 8" (hole diameter Ø 1.5 mm)	F, G	2300	300	16	740	745	445	112.0
05-12-112	Strainer filter series SY 10" (hole diameter Ø 1.5 mm)	F, G	4230	600	16	945	1050	615	240.0
05-12-122	Strainer filter series SY 12" (hole diameter Ø 1.5 mm)	F, G	5190	850	16	1065	1230	615	270.0

TM: Threaded male BSP, TF: Threaded Female BSP, F: Flanged, DIN 2576 PN 10/16 & DIN2633 PN16, G: Grooved upon request  
Other sizes available upon request



  
**Nova Rocha**  
SISTEMAS E EQUIPAMENTOS DE REGA

Zona Ind. Maia II, Friães, Rua António Ferreira da Silva,  
Lotes 11, 12 e 13  
Apartado 7010, 4475-463 Maia - Portugal  
Tel.: 22 982 14 84 | Fax: 22 982 14 85  
geral@novarochoa.com www.novarochoa.com