

 **TAVLIT**
Quality that lasts



Adir Manual Filters

Tavlit professional line of plastic filters is high quality, robust and with large filtration area. The filters are available from 1" to 3" and for flow rates up to 50 m³/h. (220 gpm).

Applications:

- Water filtration for Agriculture, Turf, domestic and industrial applications.
- Applicable for wide range of flows.

Special Features

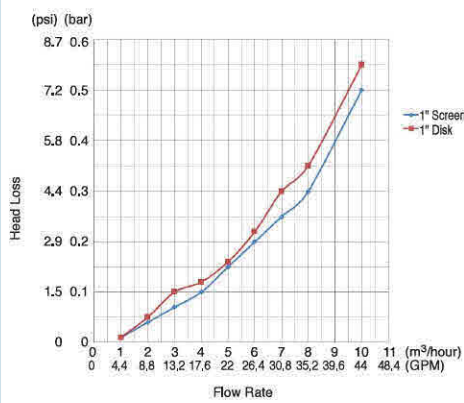
- Special locking ring enables easy opening of the filters without the use of tools.
- Filter disc element is secured to the body and includes a telescopic spine that extends to allow to easily clean the disc element.
- Large filtration area for handling large quantities of dirt.
 - 2"S; 3": Screen 950 cm²; Disc 1025 cm².
 - 1½"; 1"S: Screen 425 cm²; Disc 500 cm².



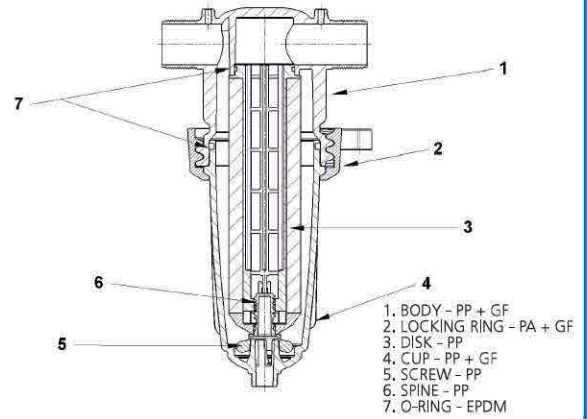
1"



1" ADIR FILTER HEAD LOSS



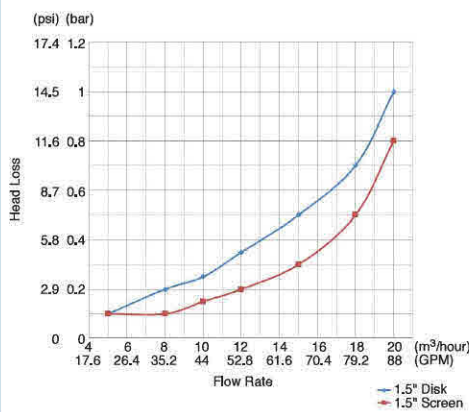
1", 1½" DISK FILTER



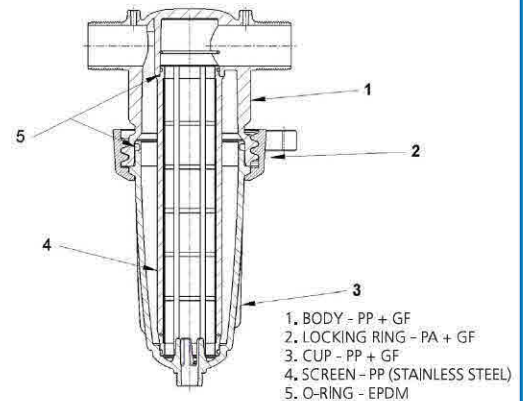
1½"



1.5" ADIR FILTER HEAD LOSS



1", 1½" SCREEN FILTER



Adir Manual Filters

Technical Specifications:

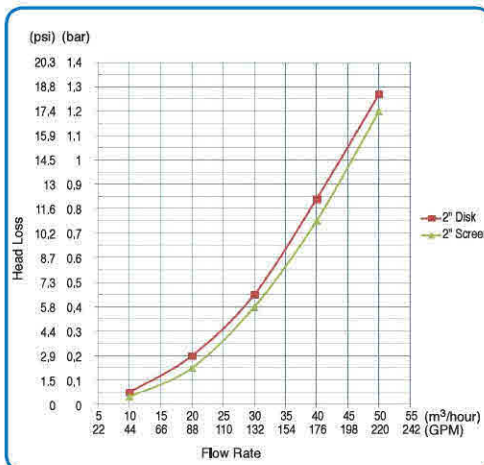
- Max. Working pressure:
 - 10 bar (140 psi) Black body and Cup.
 - 6 bar (95 psi) Grey body and Cup.
- Available sizes: 1" S, 1 1/2", 2" S, 3".
- Models 2" S, 3" are offered in T and in line configurations.
- Filtration elements: Stainless Steel weave wire screen or Grooved plastic discs.
- Filtration range: 40 – 200 mesh (425 - 70 micron)
- Threads: B.S.P.T. or N.P.T.
- Available soon: Flanged connections.

Size		1" S	1.5"	2" S	3"
Flow rate	m ³ /h (us gpm)	8 (35)	15 (66)	25 (110)	50 (220)
Screen filtration area	cm ² (inch ²)	425 (70)	425 (70)	950 (150)	950 (150)
Disc filtration area	cm ² (inch ²)	500 (80)	500 (80)	1025 (160)	1025 (160)
Stainless Steel screen	mesh (micron)	80-200 (200-70)	80-200 (200-70)	80-200 (200-70)	80-200 (200-70)
Disc element	mesh (micron)	40 - 140 (425 - 105)	40 - 140 (425 - 105)	40 - 140 (425 - 105)	40 - 140 (425 - 105)

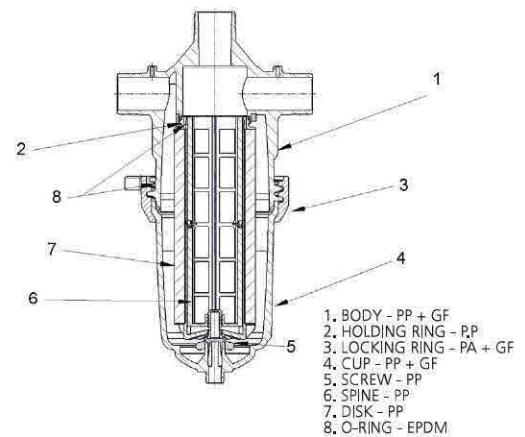
2"



2" ADIR FILTERS HEAD LOSS



2", 3" DISK FILTER

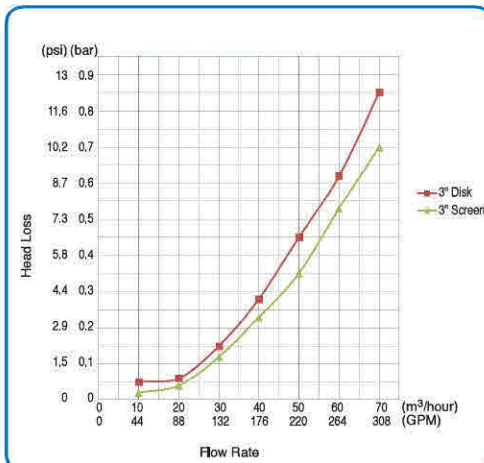


Available in T and in line configurations

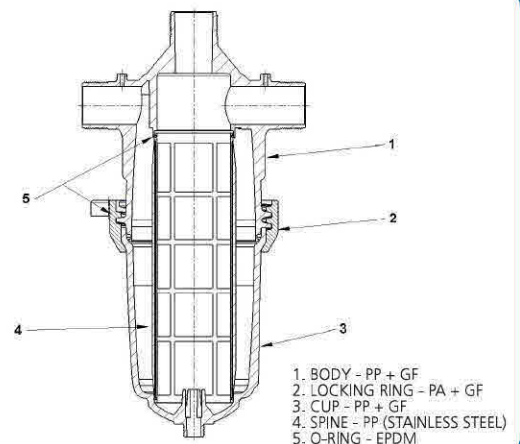
3"



3" ADIR FILTERS HEAD LOSS



2", 3" SCREEN FILTER

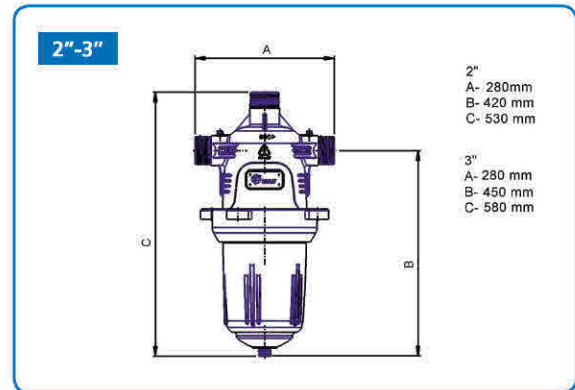
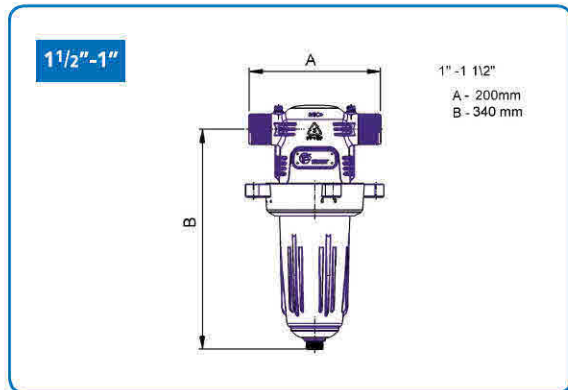


Available in T and in line configurations

Adir Manual Filters

Physical Dimensions

Size	1"S		1.5"		2"S		3"	
	mm	inch	mm	inch	mm	inch	mm	inch
A	200	7.9	200	7.9	280	11.0	280	11.0
B	340	13.4	340	13.4	450	17.7	450	17.7
C					580	22.8	580	22.8



Weight*

Weight	1"S	1.5"	2"S	3"
Kg.	1.50	1.70	4.60	5.30
Lbs.	3.30	3.75	10.00	11.70

*Filter empty

Filter Elements

In order to respond to the various needs Tavlit offers the Adir line of filters with two types of filter elements:

- Stainless steel** - Stainless steel weave wire screen.
- Grooved plastic** disc elements stacked together on a telescopic spine that can be released in order to perform proper flushing of the dirt accumulated on and between the discs.

A wide range of filtration degrees is offered for various applications.



Element Type And Mesh Color Code

Mesh/Micron	40/425	80/200	120/120	140/105	155/90	200/70
Stainless steel screen		Blue 	Red 		Green 	Violet 
Disc	Blue 	Yellow 	Red 	Black 		

Mesh count per Linear inch.

Micron in approximate values may vary between element types.